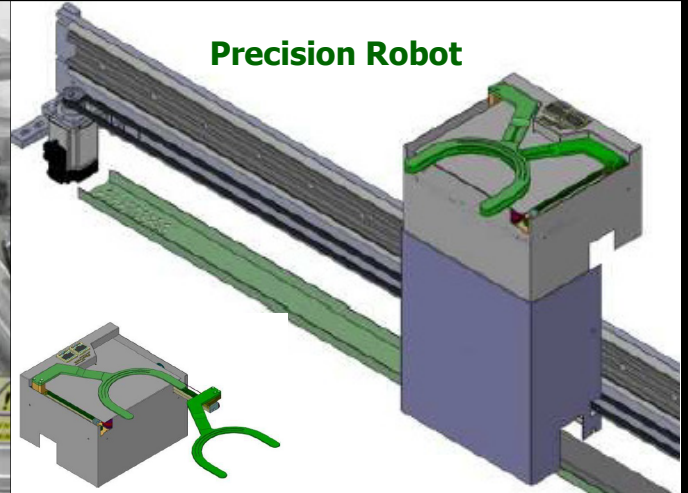
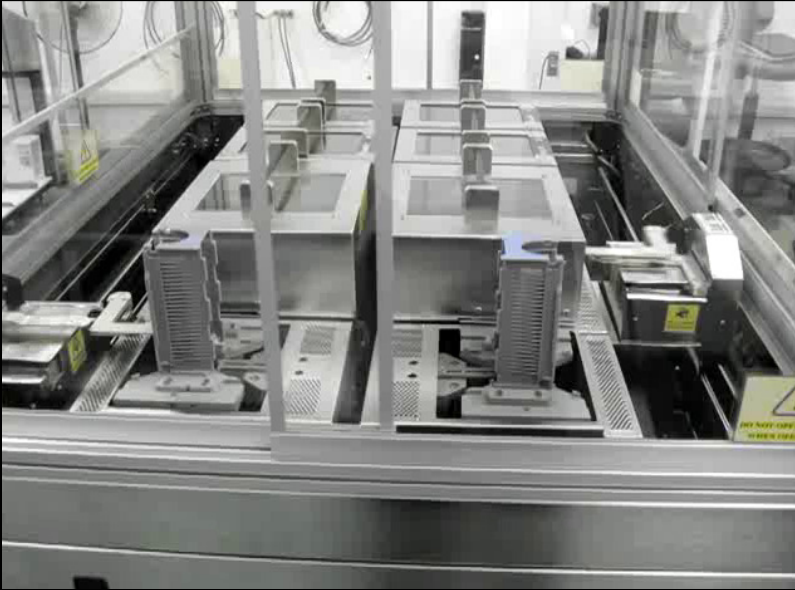


Area Representative:
Bud Rogers
(214) 592-0039
bud-rogers@PicoTrack.com

Lithography Tracks

Random Access Robot / Stacked Modules

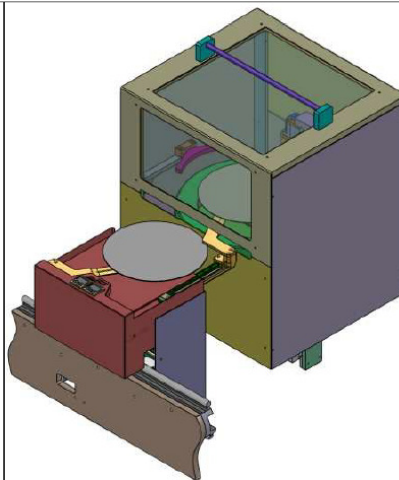
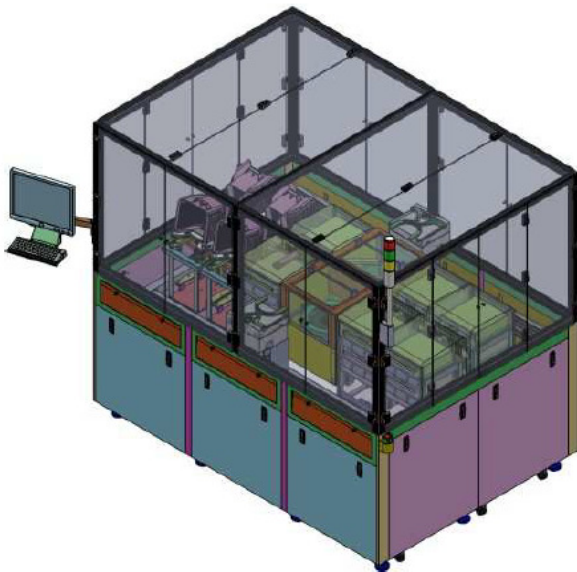
In 2004, PicoTrack introduced its very own photo track. Since then, we shipped about 300 tools of various configurations. Adopting the industry's best practices, we now offer random access robotics with dual end effectors, stacked modules, and a high reliability platform.



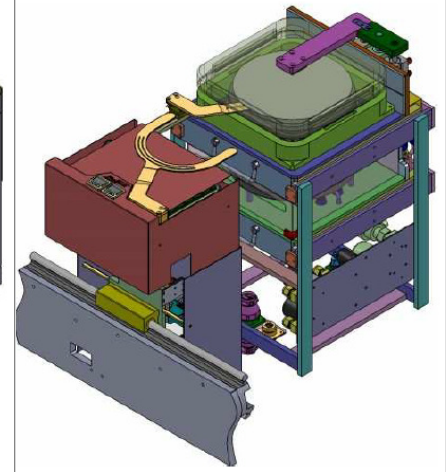
Precision Robot

Dual end effector is available with edge grip handler or standard paddle

We favor 'off the shelf' brand name components leveraging their huge installed base and tribal knowledge. Our tools are engineered and built for reliability and we back them accordingly. All of our tools come with a Comprehensive 3 Year Warranty covering parts and labor.



Coat modules can accommodate up to 5 resists, topside EBR, and bowl rinse



Module above shows an HMDS Vapor Prime oven stacked over a standard Chill Plate

Please contact us for technical details, videos, and surprisingly low pricing